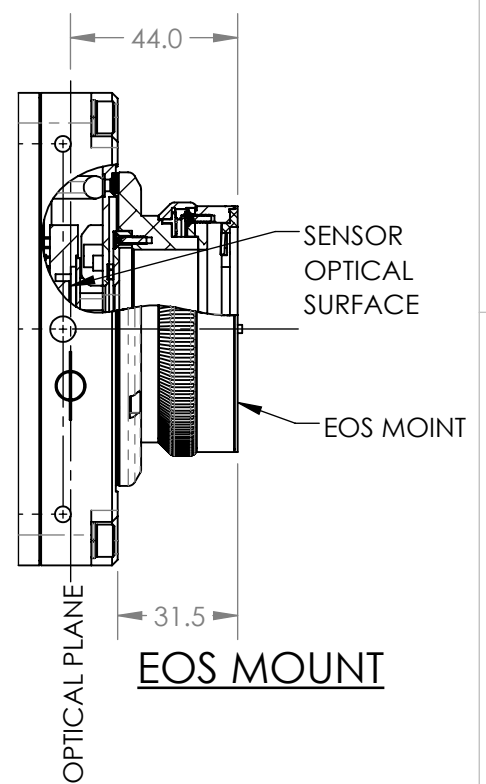
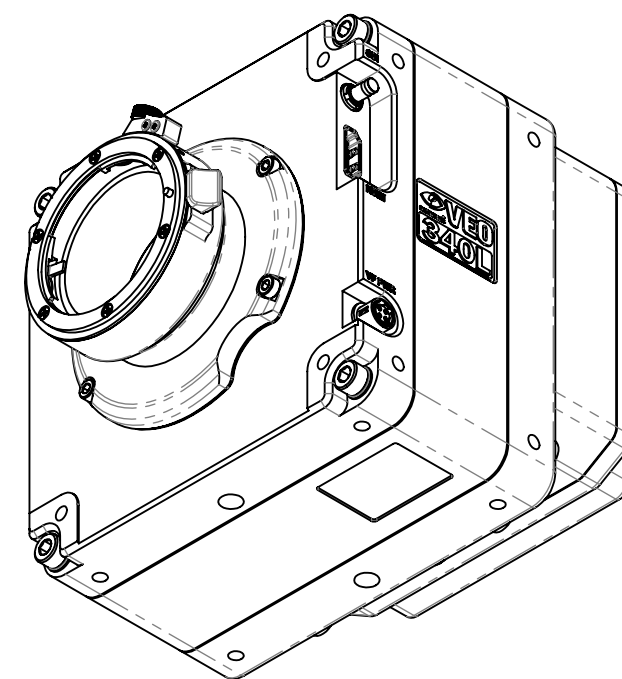
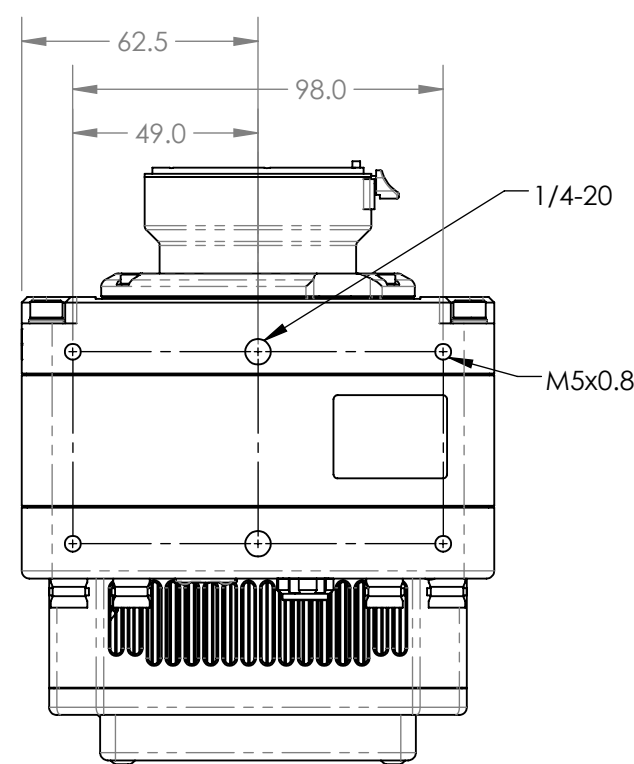
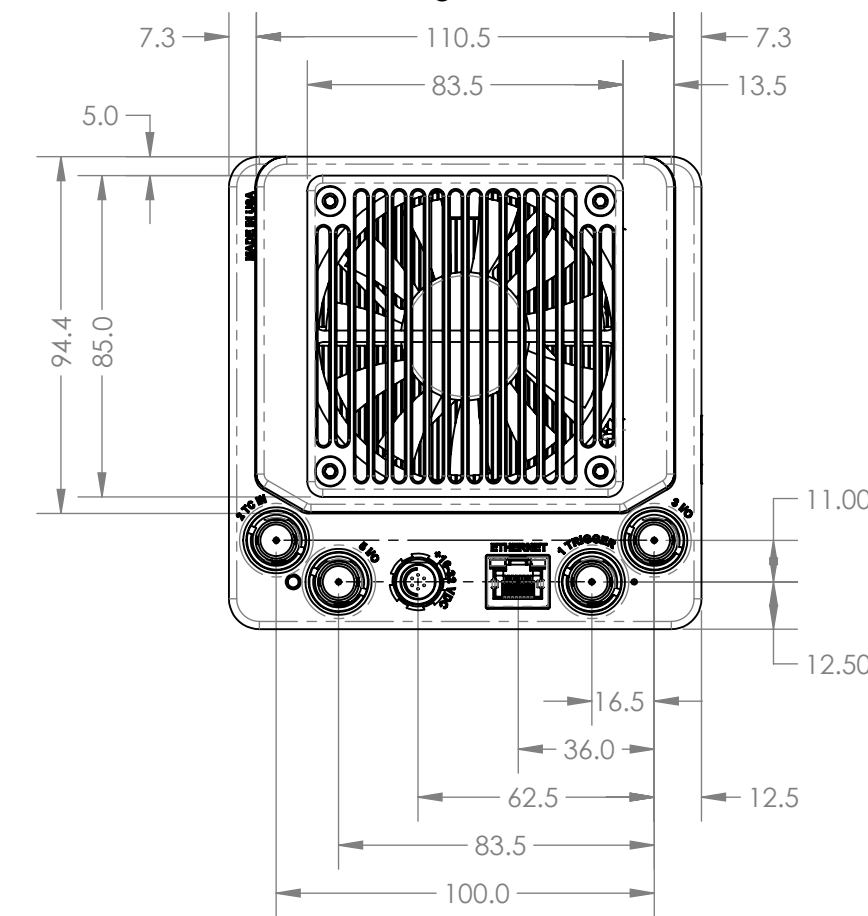
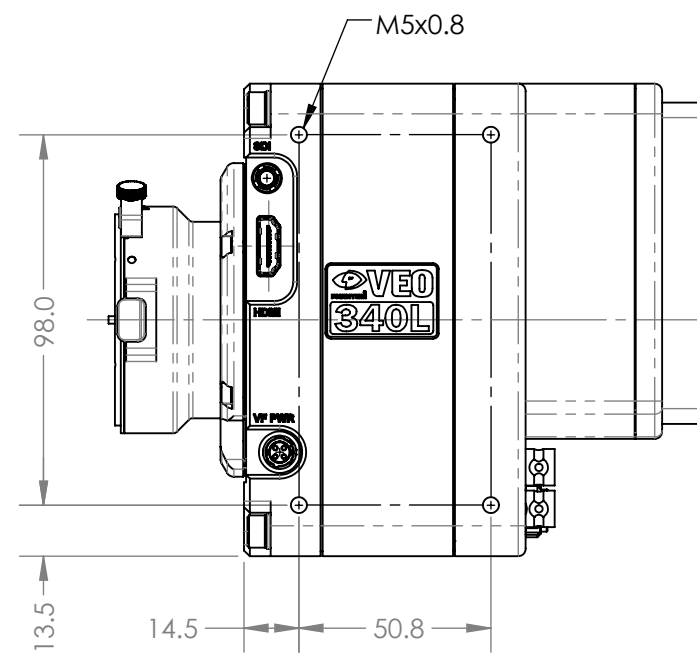
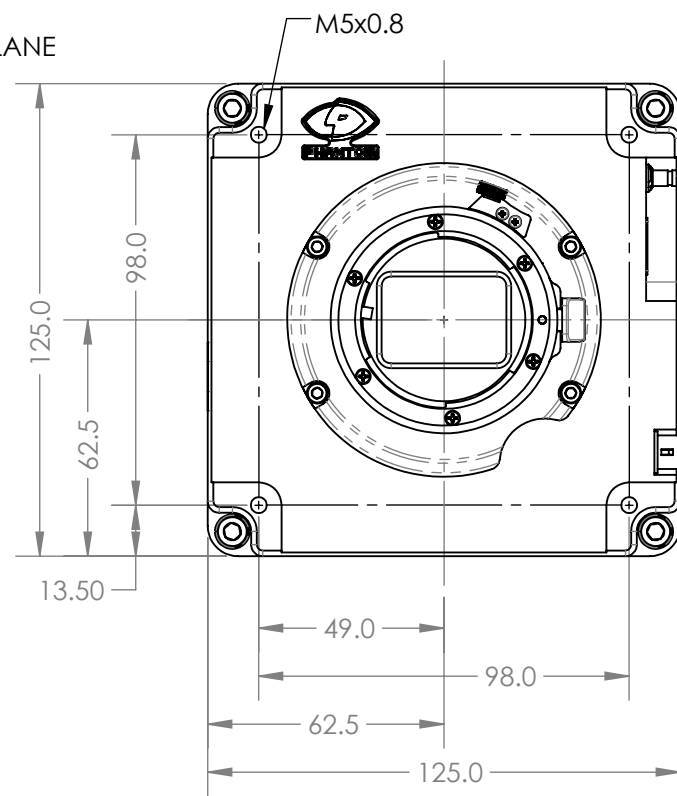
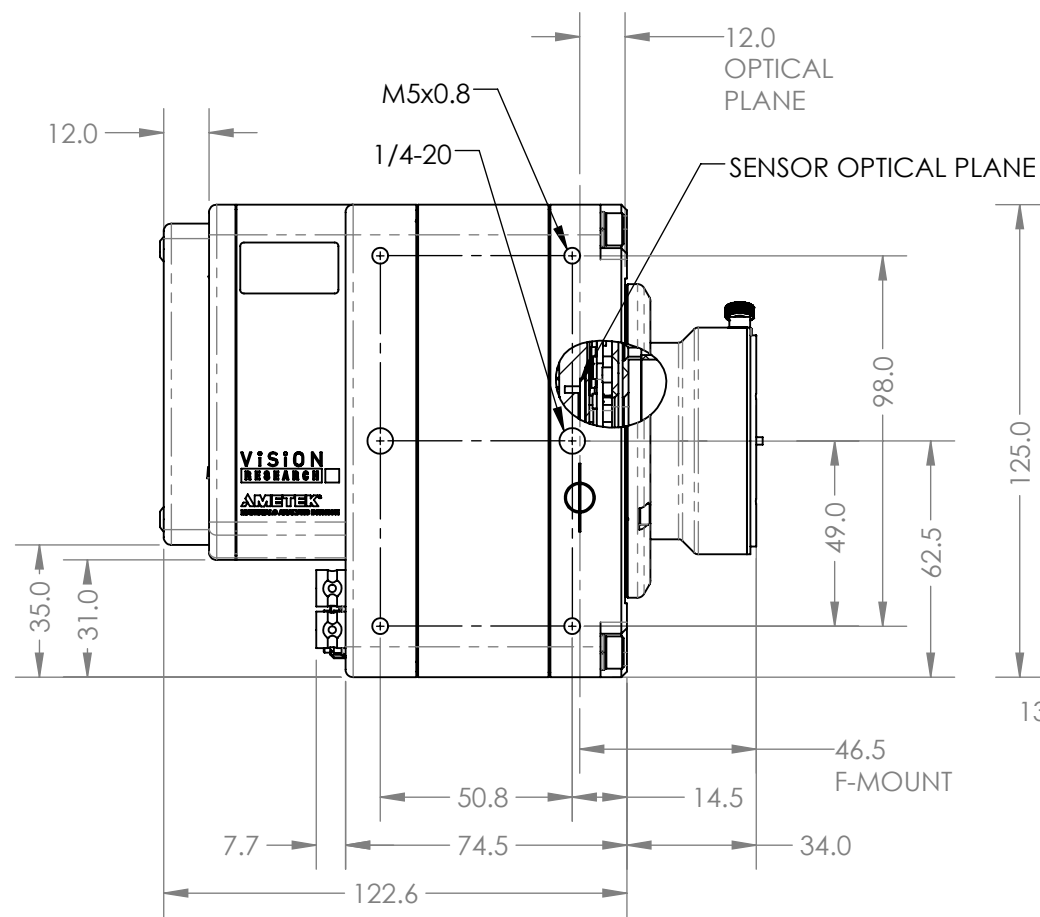
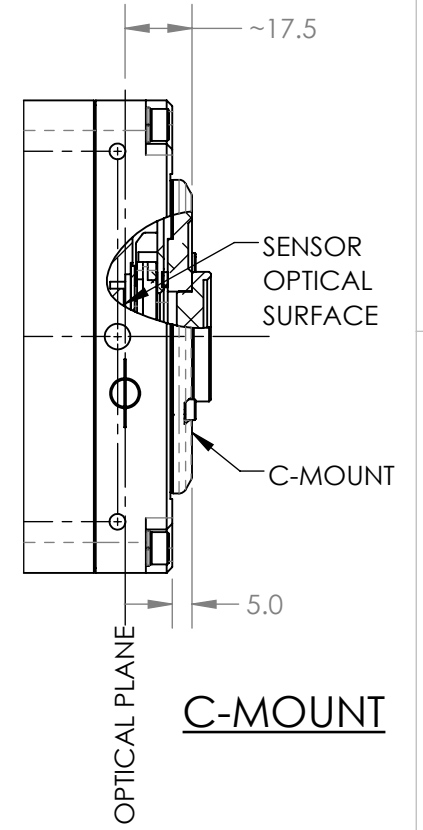
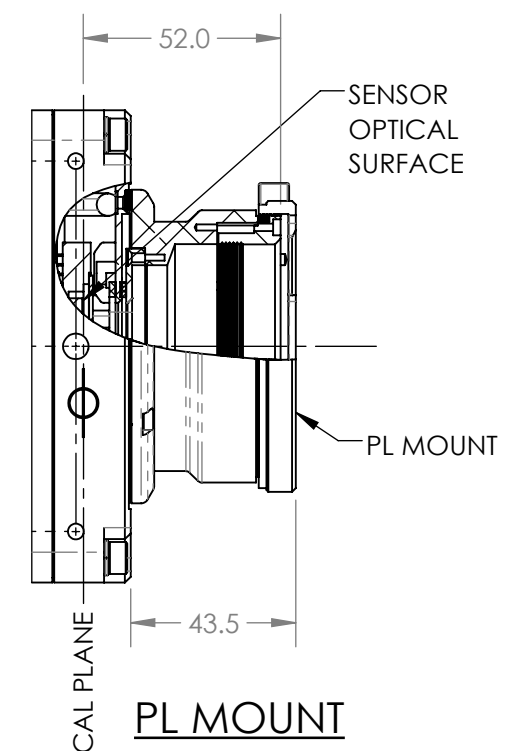
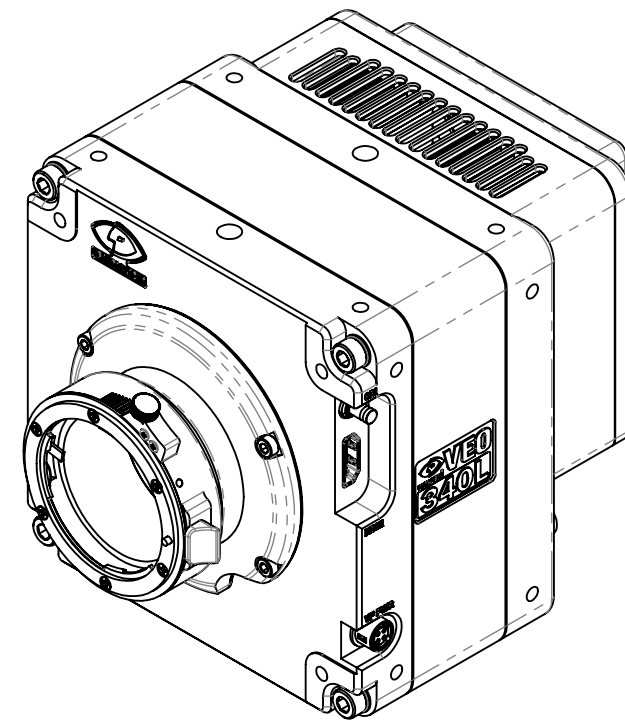
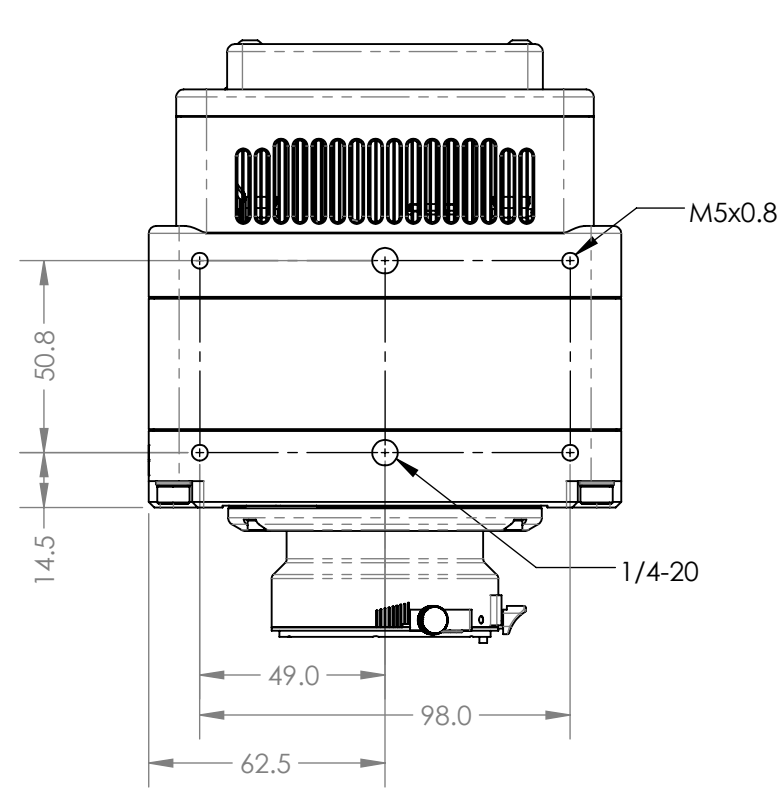
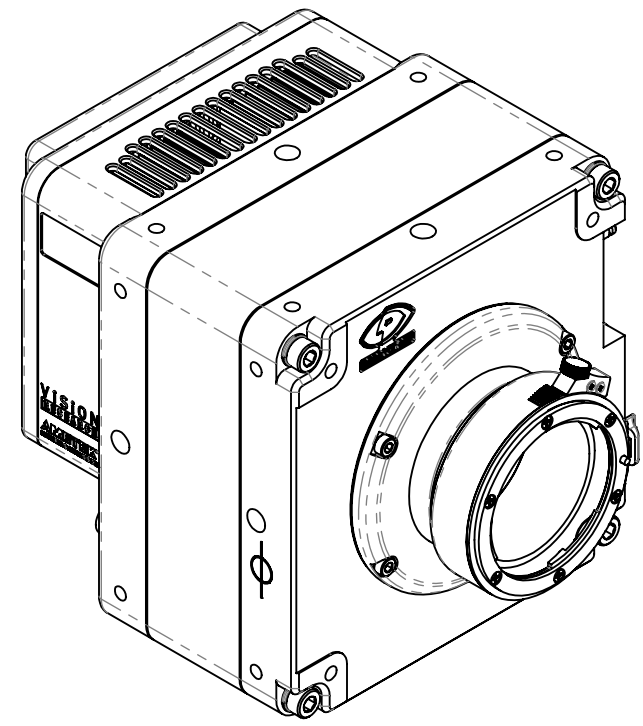


REVISIONS HISTORY			
REV.	DESCRIPTION	DRN BY	APP'D BY
0	INITIAL RELEASE	B.E.	5/24/16



**PROPRIETARY AND CONFIDENTIAL**  
 THE INFORMATION CONTAINED IN THIS DRAWING IS THE SOLE PROPERTY OF VISION RESEARCH. ANY REPRODUCTION IN PART OR AS A WHOLE WITHOUT THE WRITTEN PERMISSION OF VISION RESEARCH IS PROHIBITED.

UNLESS OTHERWISE SPECIFIED:		NAME	DATE
VEO 710L	DIMENSIONS ARE IN MM	B.E.	5/24/16
VEO 640L	TOLERANCES:		
VEO 410L	FRACTIONAL ±1/64		
VEO 340L	ANGULAR: MACH ±0.5		
	ONE PLACE ±0.25		
	TWO PLACE ±0.13		
	INTERPRET GEOMETRIC TOLERANCING PER:		
	MATERIAL		
	FINISH		
NEXT ASSY	USED ON		
APPLICATION	DO NOT SCALE DRAWING		

**VISION RESEARCH**  
 100 Dey Road  
 Wayne, New Jersey 07470 USA  
 973-696-4500

**CUSTOMER DRAWING, VEO 340L 410L 640L 710L**

SIZE DWG. NO. REV  
**C** ZDOC-64109-CD-0001 0

SCALE 1:2 SHEET 1 OF 1